

WECO®



Emergency Power Supply

WE-PS-EMG-S

USER'S MANUAL

V1.07

Please read carefully before installation.
Failure to install correctly can void the warranty.





1. Packing List

- 1) Emergency Power Supply Unit
- 2) User's Manual

2. Definitions of Terminals, Switches and Indicators



1 CHG – Battery Indicator

	Green LED slow flashing	Battery charging
	Green LED fast flashing	Battery low warning
	Green LED ON	Battery discharging or 12VDC ON
	Green LED OFF	Battery switch OFF and 12VDC OFF
		Battery empty

2 DIM- – Dim Down

3 DIM+ – Brighten Up

4 DC/12V – DC 12-24V Power Supply



**Power Jack MUST contain a Center-Positive Tip.
Otherwise the internal electronics may be damaged.**

5 ON/OFF – Battery Switch

ON – Batteries are connected to the system

OFF – Batteries are disconnected from the system

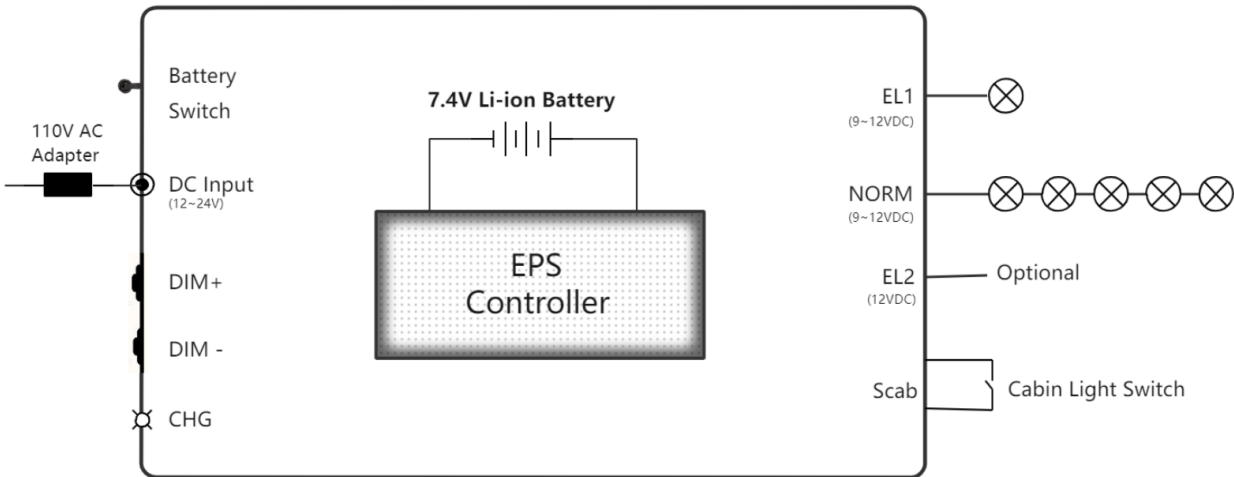


Switch it ON before installation!



- 6 Scab** – Cab Light Switch, from elevator cab to switch the lights ON/OFF
- 7 EL2** – Emergency Power Output 2 (12V/0.5A), power is ON when input power is OFF
- 8 NORM** – Normal Power Output,(12V/2.5A)
- 9 EL1** – Emergency Power Output 1 (12V/0.5A), power is always ON while the battery switch is ON, whether input power is ON or OFF.

3. Electrical Connections



Before applying, check whether power jack contains a **center-positive tip**



4. Specifications

Items	Specifications
DC Input Voltage	12-24VDC
DC Input Current	>2A
Output Voltage	NORM & EL1: 9 ~ 12VDC; EL2: 12VDC
Output Current	NORM ≤ 2.5A; EL1 & EL2 ≤ 0.5A
Battery	Li-ion 7.4V/4000mAH
Emergency Time	≥4h @6W (MR16*1)
Dimensions	170mm×120mm×37mm

Warranty / Buyer's Exclusive Remedy / Seller's Limit of Liability

Warranty. WECO Elevator Products Ltd ("Seller") warrants that the goods delivered by it shall be free of defects in workmanship or material. Should any goods fail to conform to their express warranty within two(2) years after the date of delivery of such goods, Seller shall, upon notification, repair or replace, at Seller's option, the nonconforming Goods. All replaced or repaired goods shall be shipped "FOB" Seller's facility. This warranty shall not apply to any goods which have been subjected to misuse, negligence, accident or modification or unauthorized repair or improper installation. Any improper use, operation beyond capacity, substitution or parts not approved by Seller, or any alteration or repair by others shall void this warranty.

BUYER'S EXCLUSIVE REMEDY/SELLER'S LIMIT OF LIABILITY. BUYER'S SOLE AND EXCLUSIVE REMEDY AND SELLER'S ABSOLUTE LIMIT OF LIABILITY IN CONNECTION WITH ANY LAWSUIT, CLAIM OR CAUSE WHATSOEVER DIRECTLY OR INDIRECTLY RELATING TO OR ARISING OUT OF THIS TRANSACTION WITH SELLER, WHETHER BASED ON CONTRACT, TORT OR ANY OTHER LEGAL THEORY OF RECOVERY, SHALL IN ALL CASES BE STRICTLY LIMITED, AT SELLER'S SOLE OPTION, TO EITHER: (i) REIMBURSING BUYER FOR BUYER'S ACTUAL DIRECT DAMAGES UP TO THE AMOUNT OF THE PURCHASE PRICE OF THE MATERIALS PURCHASED IN SUCH TRANSACTION; OR (ii) REPAIRING OR REPLACING SUCH ALLEGEDLY NONCONFORMING MATERIALS AS SET FORTH IN THE WARRANTY AS A CONDITION TO SELLER'S OBLIGATION TO BE RESPONSIBLE FOR DAMAGES HEREUNDER, BUYER SHALL ASSIST SELLER IN ALL RESPECTS IN ITS ATTEMPTS TO DETERMINE THE LEGITIMACY AND BASIS OF ANY CLAIMS MADE BY OR ON BEHALF OF BUYER. NOTWITHSTANDING ANYTHING TO THE CONTRARY CONTAINED HEREIN, AND EVEN IF THE EXCLUSIVE REMEDY FAILS OF ITS ESSENTIAL PURPOSE FOR ANY REASON WHATSOEVER, IN NO EVENT SHALL SELLER BE LIABLE FOR ANY PUNITIVE, INCIDENTAL, SPECIAL, INDIRECT, EXEMPLARY OR CONSEQUENTIAL DAMAGES, LOST PROFITS OR REVENUES OR DIMINUTION IN VALUE ARISING OUT OF OR RELATING TO ANY BREACH OF THESE TERMS, WHETHER OR NOT THE POSSIBILITY OF SUCH DAMAGES HAS BEEN DISCLOSED IN ADVANCE BY BUYER OR COULD HAVE BEEN REASONABLY FORESEEN BY BUYER, TO BUYER OR ANY THIRD PARTY AND ALL SUCH DAMAGES ARE HEREBY DISCLAIMED.