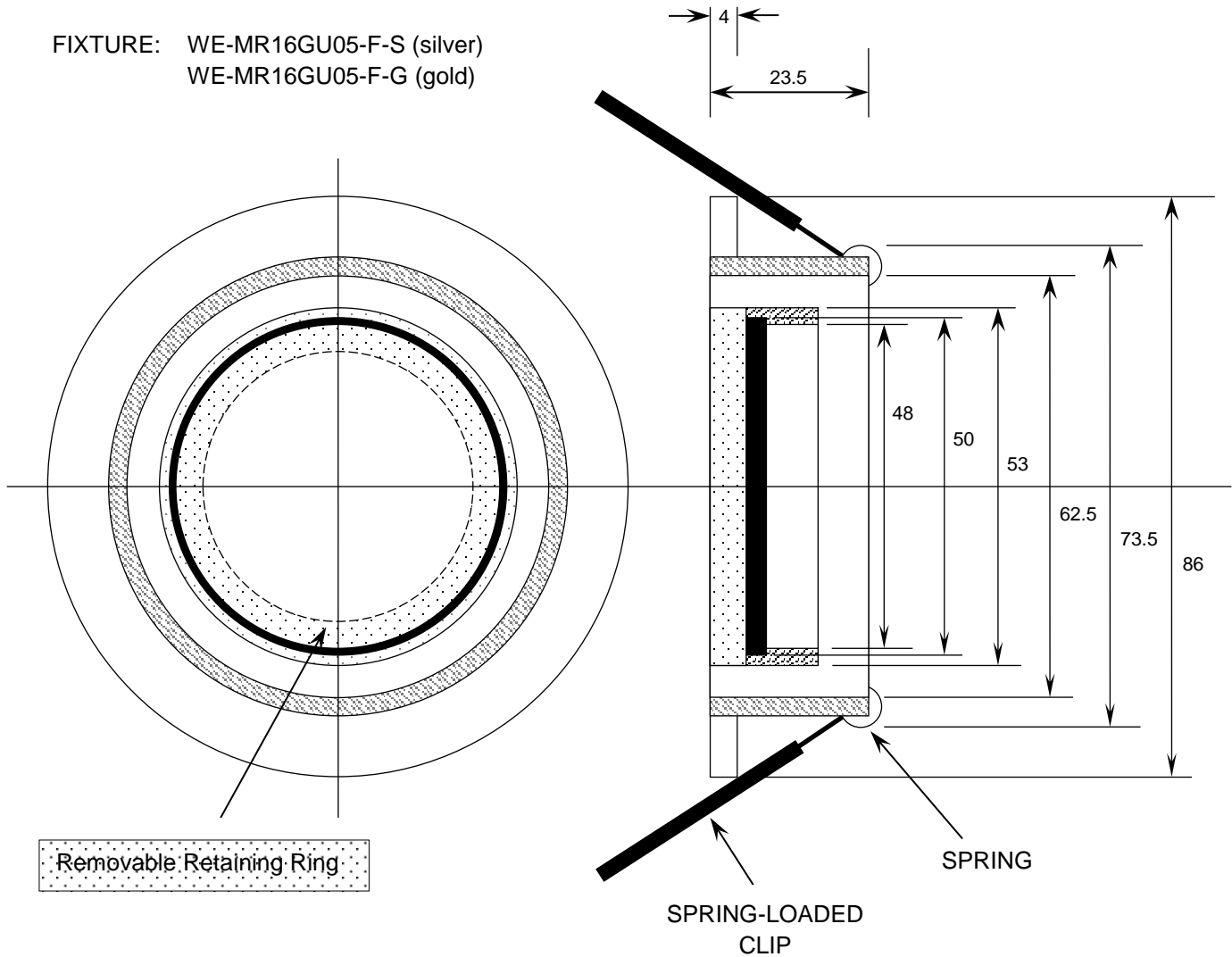


FIXTURE: WE-MR16GU05-F-S (silver)  
 WE-MR16GU05-F-G (gold)



**ALL DIMENSIONS IN MILIMETERS**

The lamp sits inside the fixture in the BLACK area

The area marked by dots  is a removable retaining ring

The dashed line circle represents the smallest inside diameter of the removable retaining ring

Our recommended cut-out diameter is 75mm

LAMP: MR16GU05-W5-45 (45-degree warm white)

The lamp is 49mm in diameter and 55mm ±2mm deep  
 (includes connecting pins)

